

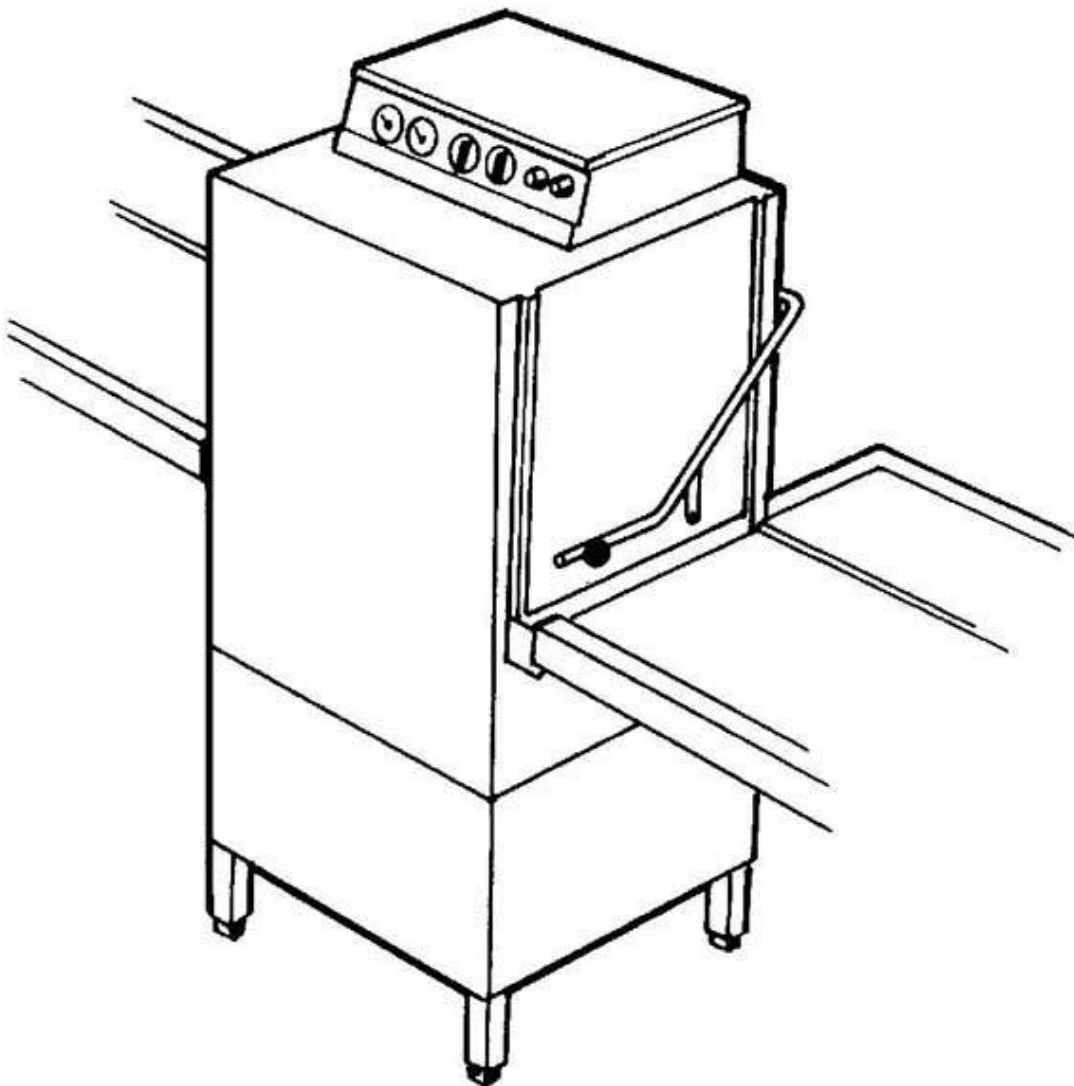
winterhalter

Spare Parts List

GS 41 / 405 / 71

Revised 01/05

Part no. 89001379



Summary

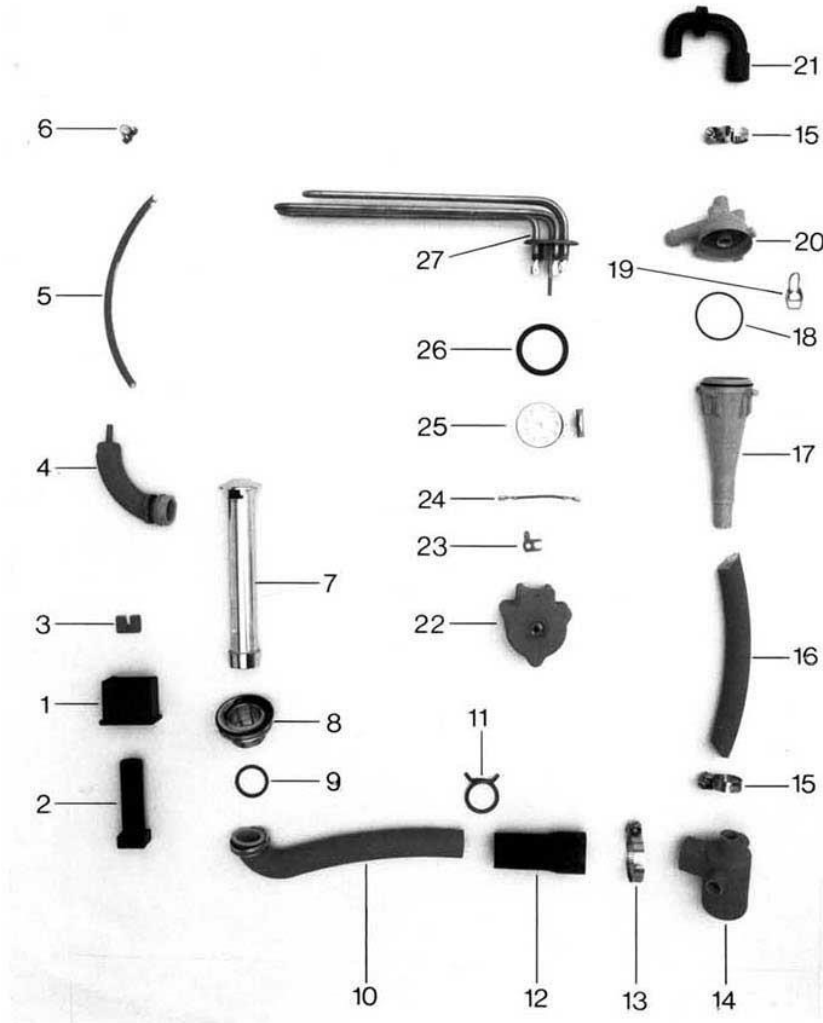
Base frame, water drain,	
Mediamat, tank heating	Page 1 and 2
Water supply	Page 3 and 4
Wash system I	Page 5 and 6
Wash system II	Page 7 and 8
Rinsing	Page 9 and 10
Door, frame and rails	Page 11 and 12
Electrical parts	Page 13 and 14

Racks and accessories see separate list.

Parts that have the note " Part made to order only!" are not in stock. This parts are made specially for your order and have a delivery time. They are not returnable.

GS 41 / 405 / 71

Untergestell, Wasserablauf, Mediamat, Tankheizung
Base frame, water drain, Mediamat, tank heating
Châssis, écoulement, Médiamat, chauffage de la cuve

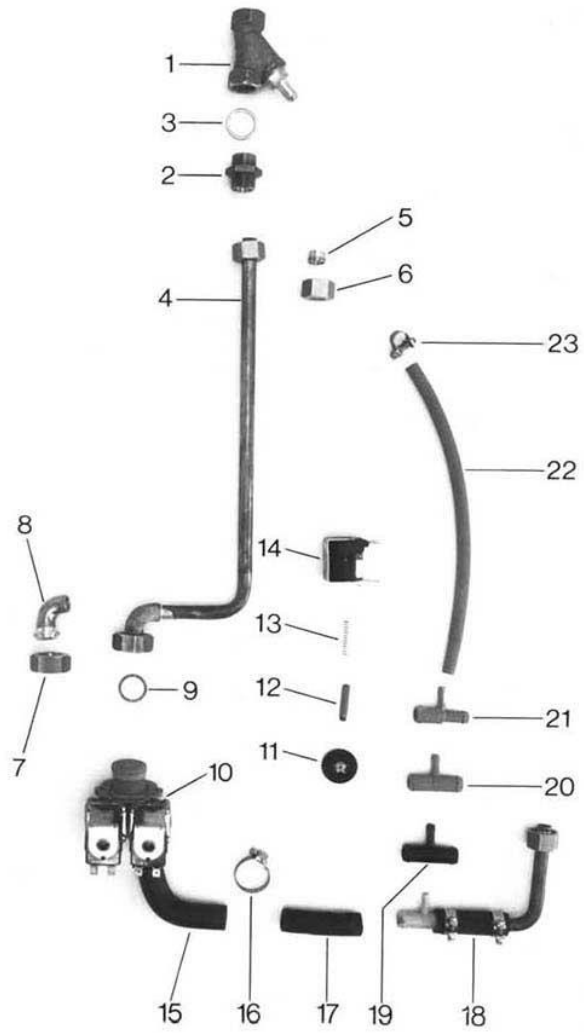
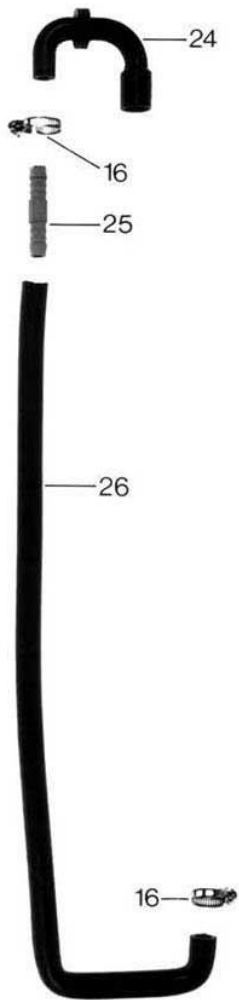


GS 41 / 405 / 71 - Base frame, water drain, Mediamat, tank heating

Pos.	Designation	Part no.	41	405	71	Notes
1	Threaded insert	35 01 063	x	x	x	
2	Foot	35 01 064	x	x	x	
3	Bracket	35 01 068	x	x	x	
4	Air chamber	55 04 024	x	x	x	
5	Synthetic hose NW 5 x 3	40 01 024	x	x	x	per metre
6	Wire Hose Clip 8,6 x 1	28 02 348	x	x	x	
7	Stand pipe top part	61004192	x	x		
n.p.	Stand pipe top part	29 04 258			x	
8	Stand pipe bottom part 1 1/4"	29 04 202	x	x	x	
n.p.	Seal	29 04 253				
9	Seal 38 x 30	27 09 031	x	x	x	
10	Siphon	55 05 049	x	x	x	
11	Hose clip	28 02 111	x	x	x	
12	Reducer 32/40 200 lg.	40 03 024	x	x	x	Cut to fit
13	Hose clip 32-52	28 02 110	x	x	x	
14	Mediamat drain	35 01 080	x	x	x	
15	Hose clip 20-30	28 02 109	x	x	x	
16	Synthetic fabric hose 19 x 4	40 01 016	x	x	x	
17	Accelerator	35 01 035	x	x	x	
18	O-ring 51 x 3,0	27 07 043	x	x	x	since 10/87
19	Spring lock	28 04 041	x	x	x	
20	Head piece	35 01 124	x	x	x	
21	Mediamat inlet cpl.	55 31 001	x	x	x	
22	Cap	31 03 014	x	x	x	
23	Link wire	31 23 088	x	x	x	
24	Earth flat plug	31 12 034	x	x	x	
25	Tank heating flange	31 03 067	x	x	x	
26	O-ring	27 07 069	x	x	x	for heating element
27	Heating element 220/380V, 6 kW	31 03 025	x	x	x	
n.p.	Heating element 240/420V, 6 kW	31 03 042	x	x	x	
n.p.	Heating element 254/440V, 6 kW	31 03 041	x	x	x	
n.p.	Lateral panel right	55 03 047	x	x		Part made to order only!
n.p.	Lateral panel left	55 03 048	x	x		Part made to order only!
n.p.	Lateral panel right	55 03 121			x	Part made to order only!
n.p.	Lateral panel left	55 02 122			x	
n.p.	Front panel	55 03 041	x	x		Part made to order only!
n.p.	Front panel	55 03 042			x	Part made to order only!
n.p.	Front panel	55 03 054	x	x		corner execution Part made to order only!
n.p.	Front panel	55 03 088			x	corner execution Part made to order only!

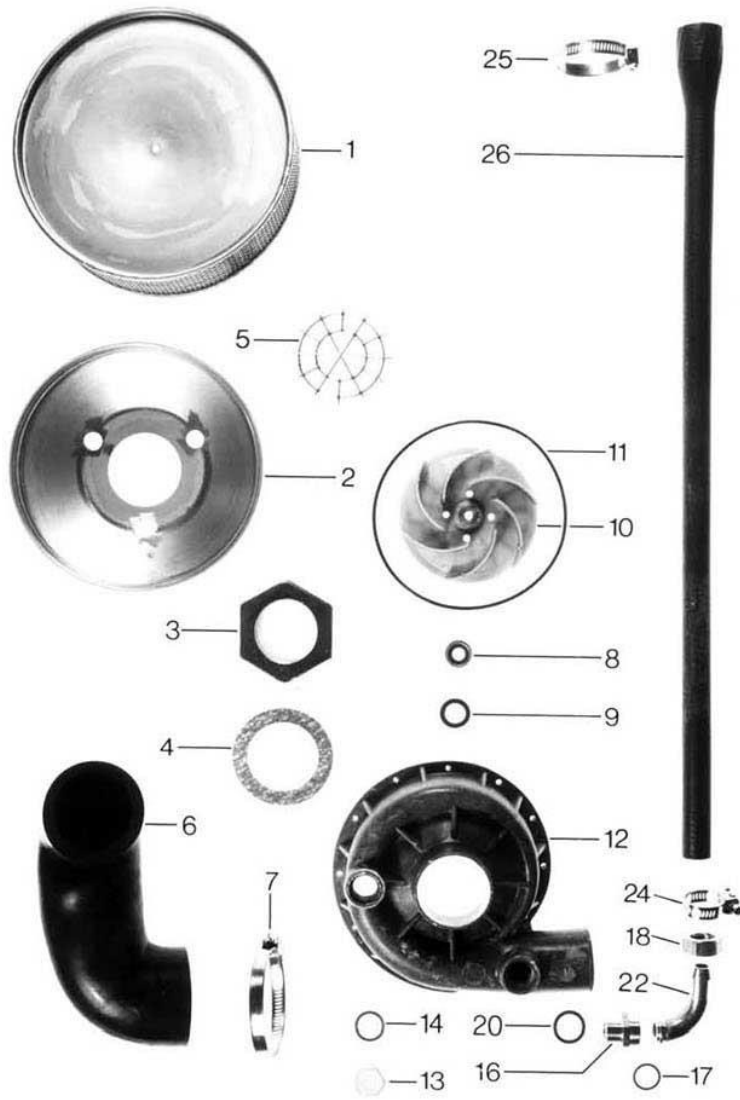
GS 41 / 405 / 71

Wassorzulauf und Wassereinlauf
Water feed and water inlet
Alimentation d'eau et arrivée d'eau



GS 41 / 405 / 71

**Waschsystem I
Wash system I
Système de lavage I**

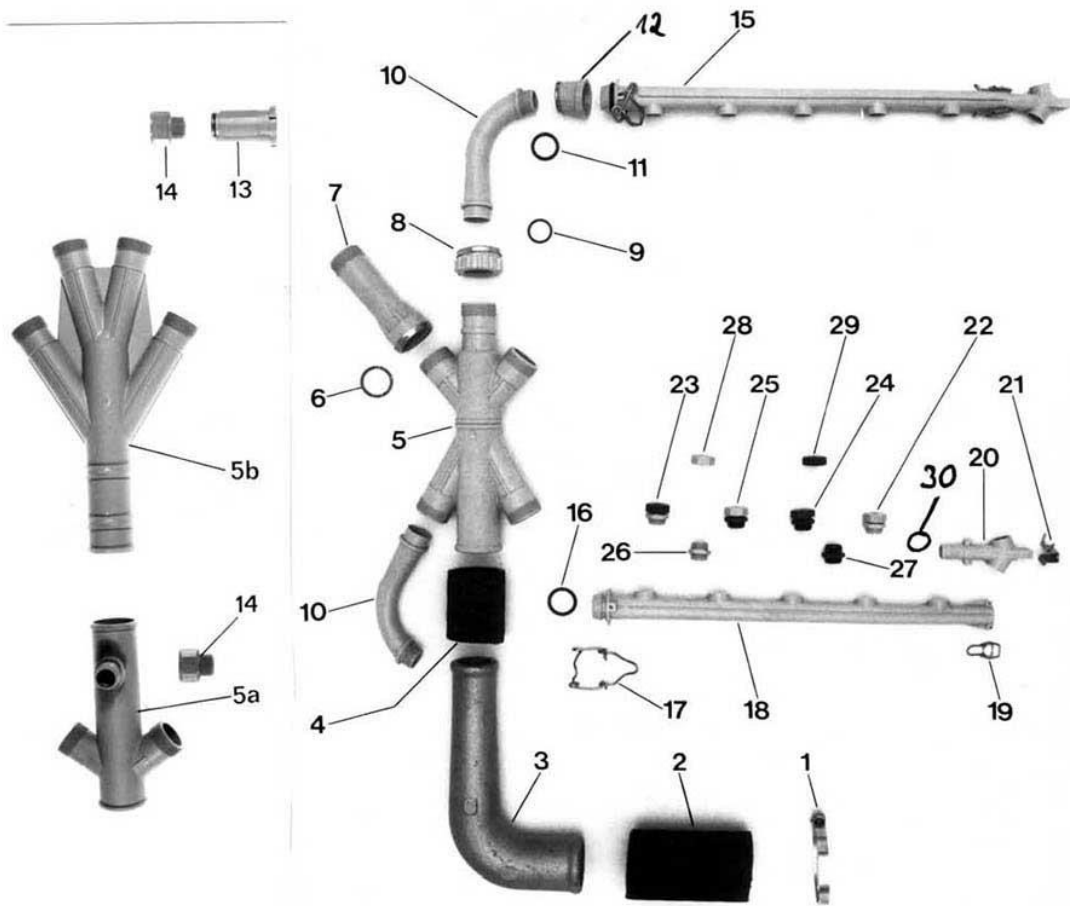


GS 41 / 405 / 71 - Wash system I

Pos.	Designation	Part no.	41	405	71	Notes
1	Pump sieve	55 13 009	x	x		
n.p.	Pump sieve	55 13 004			x	
2	Sieve plate	55 13 011		x		
3	Pump nipple	02 30 001			x	
4	Seal	27 09 005			x	
5	Coarse sieve	55 13 112	x	x		from 2/89
n.p.	Coarse sieve	61002500			x	from 2/89
6	Hose elbow	40 03 017	x	x		
7	Hose clip 62-82	28 02 120	x	x	x	
n.p.	Pump 1,1 kW 230/400 V synth.	31 02 263	x			
n.p.	Pump 1,1 kW 220/380 V 60 Hz	31 02 064	x			replaced by 31 02 267
n.p.	Pump 1,1 kW 240/420 V synth.	31 02 263	x			
n.p.	Pump 1,1 kW 3 x 440 V 60 Hz	80002804	x			
8	Motor shaft seal		x	x		Sealing kit cpl. 80002670
9	Antirotaion ring		x	x		Including pos.: 8,9,11
10	Impeller Ø 124 for 1,7 kw pump	31 02 207	x			
n.p.	Impeller Ø 118 for 1,7 kw pump	31 02 206		x		
n.p.	Impeller Ø 109 for 1,1 kw pump	31 02 273	x	x		50 hz
n.p.	Impeller Ø 96 for 1,1 kw pump	31 02 274	x	x		60 hz
11	O-ring	31 02 209	x	x		
12	Pump housing	31 02 204	x	x		
13	Stopper 1/2" BSP	35 01 108	x	x		
14	O-ring	27 07 040	x	x		
n.p.	Pump 2,7 kW 220/380 V	55 14 011			x	
n.p.	Pump 2,7 kW 240/420 V	55 14 011			x	
n.p.	Impeller Ø 135	35 01 135			x	50 hz
n.p.	Impeller Ø 120	55 14 140			x	60 hz
n.p.	Sealing kit	80002672			x	
n.p.	Fan Cover	31 01 143			x	
n.p.	Fan Blade	31 01 142			x	
16	Reducer 1/2" BSP x 3/4"	30 11 502	x	x	x	with filter
17	Seal 24 x 19,5 x 1,5	27 09 010	x	x	x	
18	Coupling nut 3/4" BSP	29 07 203	x	x	x	
20	Seal 28 x 21 x 2,0	27 07 040	x	x	x	
22	Mediamat connection	29 06 524	x	x	x	since 3/88
24	Hose clip 20-30	28 02 109	x	x	x	
25	Hose clip 32-52	28 02 110	x	x	x	
26	Reducing Hose 930 lg.	40 03 036			x	cut to fit

GS 41 / 405 / 71

Waschsystem II
Wash system II
Système de lavage II

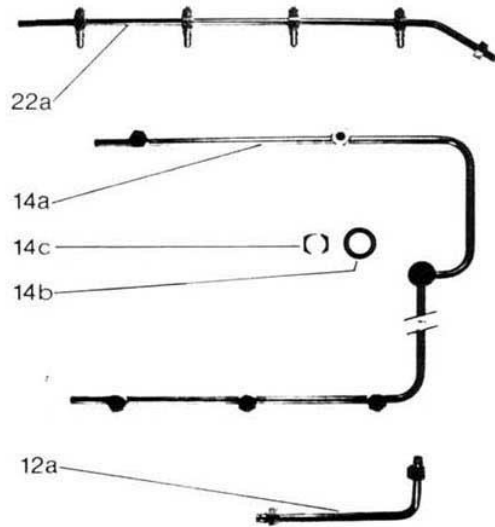
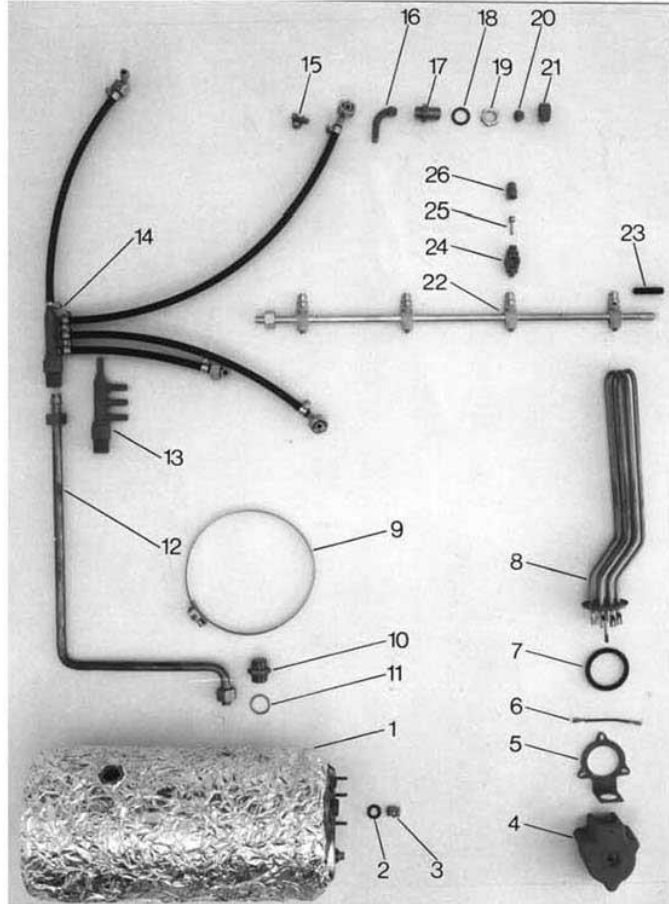


GS 41 / 405 / 71 - Wash system II

Pos.	Designation	Part no.	41	405	71	Notes
1	Hose clip	28 02 120	x	x	x	
2	Pump hose ø 60 x 140	40 02 007			x	per metre
3	Reducing elbow	55 06 051			x	since 4/88
4	Pump hose ø 50 x 200	40 02 006	x	x	x	per metre
n.p.	Pump hose ø 50 x 330	40 02 006	x	x		per metre
5	Manifold	35 01 002	x	x		for GS 41 only use upper part
5a	Manifold bottom part	35 01 018	x		x	
5b	Manifold top part	35 01 017			x	
6	Seal 39 x 33 x 2	27 02 001	x	x	x	
7	Extension	35 01 003	x	x	x	
8	Coupling nut	35 01 004	x	x	x	
9	O-ring 24 x 3	27 07 066	x	x	x	
10	Angle	35 01 005	x	x	x	
11	Seal 33 x 26 x 2,5	27 01 003	x	x	x	
12	Ring nut 3/4" BSP x 32	35 01 006				
13	Ring nut 70 long	35 01 130	x	x	x	since 3/87
14	Extension	35 01 019	x	x	x	
15	Wash arm opl.	61000945	x	x	x	
16	O-ring 27 x 4	27 07 016	x	x	x	
17	Spring locking	28 04 040	x	x	x	
18	Wash arm		x	x	x	Replaced by pos. 15
19	Spring locking	28 04 041	x	x	x	
20	End piece	35 01 010	x	x	x	
21	Wash arm support	55 08 008	x	x	x	
23	Wash jet grey/black	29 10 522			x	
24	Wash jet grey/grey	29 10 520	x			
25	Wash jet black/grey	29 10 528	x	x		
26	Wash jet base grey	29 10 523			x	
27	Wash jet body black	29 10 529	x	x		
28	Wash jet cap grey ø 6	29 10 524	x	x		
29	Wash jet cap black ø 5	29 10 526			x	
30	O-ring 18 X 1,5	27 07 039	x	x	x	
o.p.	Top pipe bracket	55 08 050			x	Part made to order only!
o.p.	Bottom pipe bracket	55 08 051			x	Part made to order only!

GS 41 / 405 / 71

Nachspülung Rinsing Rinçage

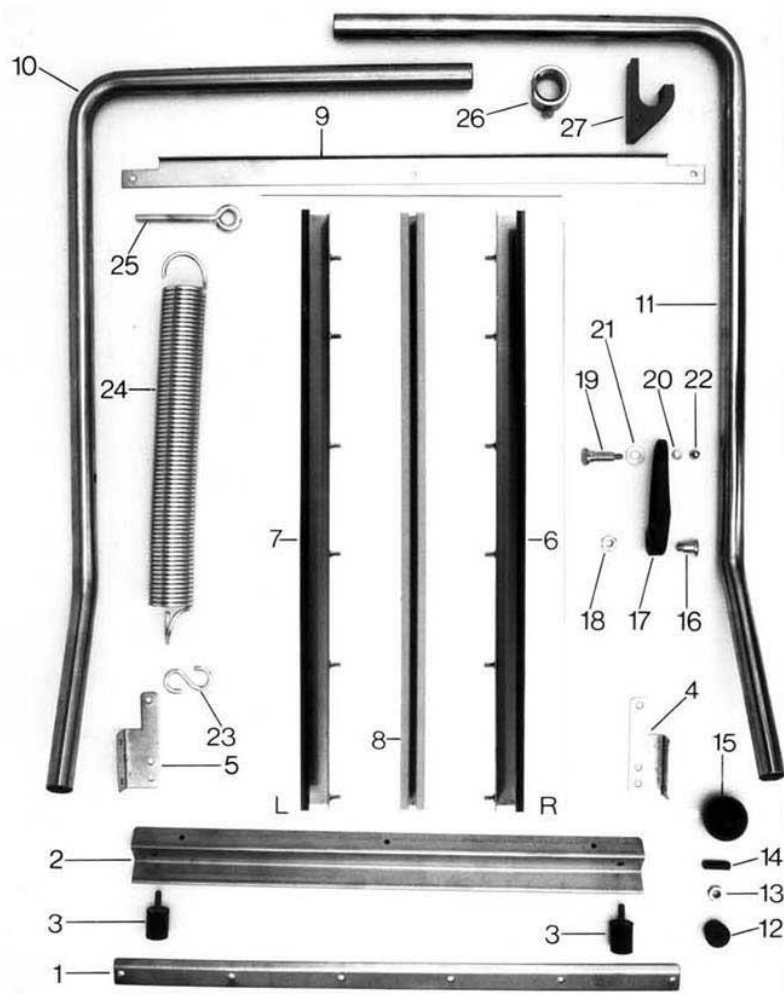


GS 41 / 405 / 71 - Rinsing

Pos.	Designation	Part no.	41	405	71	Notes
1	Boiler 6 kw & 12 kw	55 12 032	x	x	x	
2	Seal 18 x 10 x 1,5	27 03 003	x	x	x	
3	Locking screw M 10 x 1	20 01 352	x	x	x	
4	Covering cap	31 03 014	x	x	x	
n.p.	Cable gland PG 13,5	31 10 040	x	x	x	
n.p.	Nut	31 01 041	x	x	x	
5	Clamping ring with angle	55 19 018	x	x	x	
6	Link wire	31 23 088	x	x	x	
7	O-ring	27 07 069	x	x	x	
8	Heating element 6 kW 380 V	31 03 017	x	x	x	
n.p.	Heating element 6 kW 240/420 V	31 03 043	x	x	x	
n.p.	Heating element 254/440 V	31 03 034	x	x	x	
9	Hose clip 182-202	28 02 121	x	x	x	
10	Double nipple 1/2" BSP	70000459	x		x	
n.p.	Reducer 1/2"BSP x 3/4"	61003430		x		
11	Seal 27 x 21 x 2	27 04 006	x		x	
12	Rinse inlet	55 11 035	x			Part made to order only!
12a	Rinse inlet	55 11 054			x	Part made to order only!
n.p.	Rinse inlet	55 11 055		x		Part made to order only!
13	Rinse manifold	35 01 023	x			
14	Rinse manifold cpl.	55 09 001	x			Until 12/84 plastic
14a	Rinse manifold	55 09 029		x		Until 06/85
n.p.	Rinse manifold	55 09 035	x			From 12/84
n.p.	Rinse manifold	55 09 023			x	until 6/84
n.p.	Rinse manifold	55 09 034			x	since 6/84
14b	Seal 42 x 27 x 2	27 09 003		x		
14c	Locking nut 3/4" BSP	61002626		x		
15	Hose clip ø 10	28 02 102	x			
n.p.	Tecalan pipe 10 x 8	40 01 002	x			per metre
16	Hose elbow ø 10	29 06 500	x			
17	Double nipple 3/8" BSP	30 11 200	x			
18	Seal 24 x 17 x 2,0	27 09 009	x			
19	Locking nut 3/8" BSP	30 09 200	x			
20	Clamping ring ø 10	29 07 500	x	x	x	
21	Coupling nut 3/8" BSP	29 07 200	x	x	x	
22	Rinse pipe 583 lg.	55 10 015	x	x		
n.p.	Rinse pipe with 2 jets	55 10 099	x			
22a	Rinse pipe	55 10 046			x	
23	Threaded pin M 10 x 40	20 30 501	x	x		
n.p.	Threaded pin M 9 x 40	20 30 502			x	
n.p.	Threaded pin M 11 x 1 x 20	20 30 503			x	
24	Hinged piece	55 10 008	x	x	x	
25	Spray jet swirl	65002764	x	x	x	
26	Spray jet cap	65002765	x	x	x	

GS 41 / 405 / 71

Türe, Rahmen, Schienen
Door, frame, rails
Porte, cadre, barres

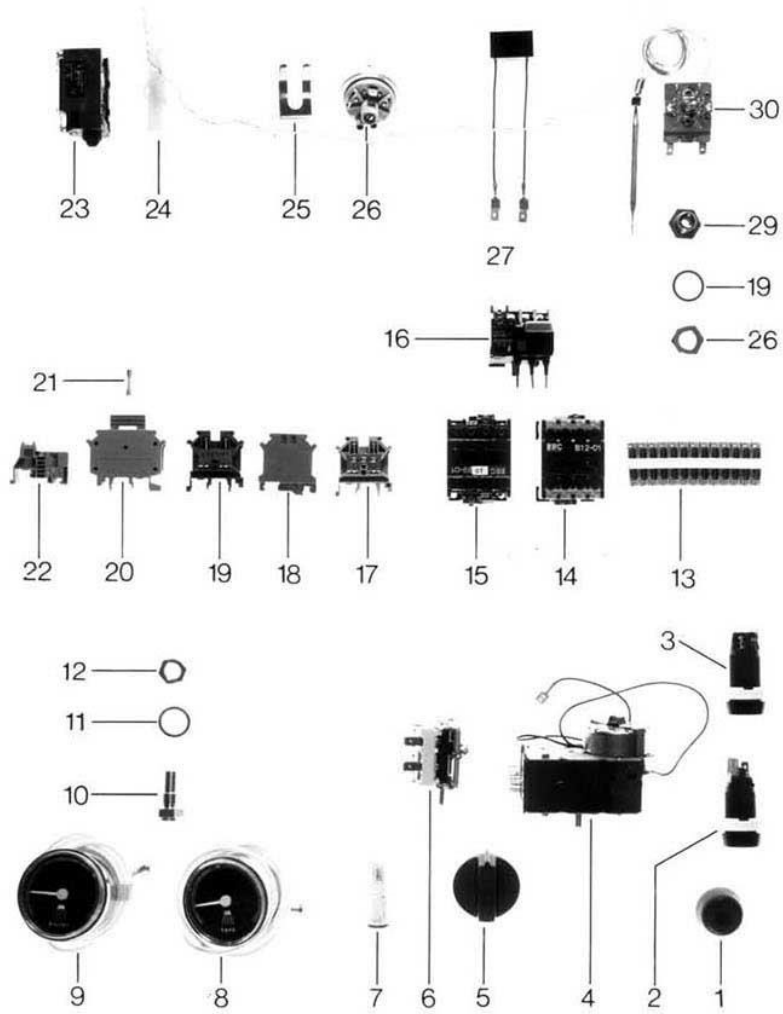


GS 41 / 405 / 71 - Door, frame and rails

Pos.	Designation	Part no.	41	405	71	Notes
1	Pressure rail	55 15 056	x	x	x	only corner execution Part made to order only!
2	Protective plate	55 15 024	x	x	x	
n.p.	Protective plate	55 15 145			x	only corner execution Part made to order only!
3	Rubber buffer	40 06 004	x	x	x	
4	Supporting angle right	55 16 029	x	x	x	
5	Supporting angle left	55 16 030	x	x	x	
n.p.	Door	55 15 026	x	x		Part made to order only!
n.p.	Door	55 15 082			x	Part made to order only!
6	Sliding rail cpl. right	55 15 039	x	x		
7	Sliding rail cpl. left	55 15 040	x	x		
n.p.	Sliding rail cpl. right	55 15 080			x	
n.p.	Sliding rail cpl. left	55 15 081			x	
n.p.	Nut M 5	21 01 303	x	x	x	
n.p.	Seal	22 08 503	x	x	x	
8	Sliding rail in plastic	61000968	x	x		
n.p.	Sliding rail in plastic	61004175			x	
9	Reinforcing angle	55 15 019	x	x	x	
10	Door lever left	55 24 012	x	x		only corner execution
11	Door lever right	55 24 014	x	x		Part made to order only!
n.p.	Door lever	55 24 015	x	x		Part made to order only!
n.p.	Door lever	55 24 003			x	Part made to order only!
12	Locking cap	35 03 004	x	x	x	
13	Hexagon nut M 8	21 01 305	x	x	x	
14	Stud bolt M 8	20 30 002	x	x	x	
15	Ball handle	28 05 012	x	x	x	
16	Lens head screw	20 18 262	x	x	x	
17	Pull lever	35 01 067	x	x	x	
18	Hexagon nut M 8 flat	21 02 205	x	x	x	
19	Pull lever gudgeon	20 19 201	x	x	x	
20	Washer	22 01 303	x	x	x	
21	Washer	22 02 203	x	x	x	
22	Dome head nut M 5	21 10 303	x	x	x	
23	S-hook	28 15 009	x	x	x	
n.p.	Link chain	28 15 008	x	x	x	per metre
24	Tension spring	28 04 001	x	x	x	
25	Eye screw	20 06 001	x	x	x	
26	Adjusting ring	23 05 002	x	x	x	
n.p.	Cover	35 01 162	x	x	x	
27	Door lever bearing	35 01 066	x	x	x	
n.p.	Sealing rail	55 15 147	x		x	between door and housing
n.p.	Rack rail front 420 x 500	55 16 013	x	x		Part made to order only!
n.p.	Rack rail rear 420 x 500	55 16 014	x	x		Part made to order only!
n.p.	Door cpl. front	55 15 144			x	only corner execution Part made to order only!
n.p.	Protective plate for front door	55 15 145			x	Part made to order only!
n.p.	Rack carrier	61004828	x			Corner version Part made to order only!
n.p.	Rack rail front 500 x 500	55 16 068			x	Part made to order only!
n.p.	Rack rail rear 500 x 500	55 16 018			x	Part made to order only!
n.p.	Rack carrier	80000182			x	Corner version Part made to order only!

GS 41 / 405 / 71

**Elektroteile
Electrical parts
Matériel électrique**



GS 41 / 405 / 71 - Electrical parts

Pos.	Designation	Part no.	41	405	71	Notes
1	Sealing cap transparent	31 24 208	x	x	x	
2	Pressure key button white	31 24 001	x	x	x	Rinsing
3	Pressure switch black	31 24 002	x	x	x	Washing
4	Programme switch	31 05 100	x		x	2 mim
n.p.	Programme switch 60 Hz	31 05 121	x		x	
n.p.	Programme switch	31 05 106		x		5 min
5	Control knob	55 19 036	x	x	x	
6	Control switch	31 24 008	x	x	x	
7	Pilot light green	31 08 002	x	x	x	
n.p.	Spring disk to pos 7	31 08 029	x	x	x	
8	Remote thermometer 55°C	32 01 016	x	x	x	
9	Remote thermometer 85°C	32 01 017	x	x	x	
10	Thermometer gland	32 01 030	x	x	x	
11	Gasket	27 09 036	x	x	x	
12	Locking nut M 14 x 1,5	31 25 002	x	x	x	
13	Series conn. terminal 1-3 sect.	55 19 070	x	x	x	
14	Contactora A 9	31 04 161	x	x	x	
15	Contactora A 16	31 04 162	x	x	x	
16	Overload relay 1,9 – 6,3 A	31 04 192		x		
n.p.	Overload relay 1,7 – 18,9 A	31 04 193	x		x	
17	Terminal block UK 10 grey	31 09 057	x	x	x	
18	Terminal block USLKG 10	31 09 059	x	x	x	green-yellow
19	Terminal block UK 10 blue	31 09 058	x	x	x	
20	Terminal block UK-Si	31 09 063	x	x	x	
21	Fuse insert 6,3 Amp.	31 11 043	x	x	x	
n.p.	Fuse insert 10 Amp.	31 11 093	x	x	x	
22	Terminal block E-UK	31 09 051	x	x	x	
23	Limit switch	80003235	x	x	x	
24	AMP coupling	31 12 021	x	x	x	
25	Clamping spring for level switch	31 26 001	x	x	x	
26	Level switch green	31 26 023	x	x	x	since 7/85
27	RC-link 0,25 µF	60000990	x	x	x	
28	Locking nut M 14 x 1	31 25 002	x	x	x	
29	Gland	31 25 001	x	x	x	
30	Thermostat	31 25 013	x	x	x	
n.p.	Thermostat clip	55 19 035	x	x	x	
n.p.	Control box cover CN	61003357		x		+ 28 03 192 + 80002171 Cut to fit!
n.p.	Control box housing w. cover CN	55 19 037	x		x	No more available!
n.p.	Control box corner right	35 01 128	x		x	
n.p.	Control box corner left	35 01 129	x		x	
n.p.	Control box cover CN	61000746	x		x	